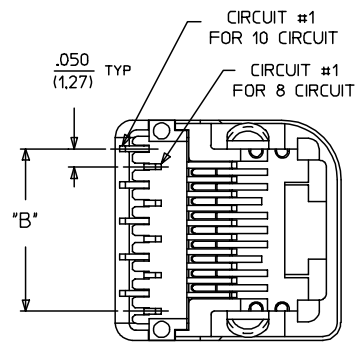
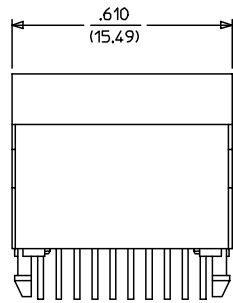
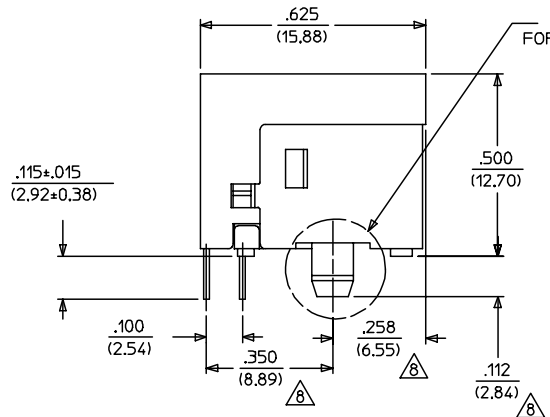
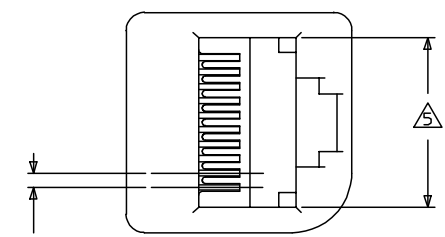


X = NOT TOOLED	MATERIAL NUMBER	CONNECTOR SIZE	NUMBER OF CIRCUITS	RETENTION PEG OPTION	DIM. "B"
	43090-0003	8	8	NO	.350/(8.89)
X	43090-0004	8	8	YES	.350/(8.89)
	43090-0005	8	10	NO	.450/(11.43)
X	43090-0006	8	10	YES	.450/(11.43)

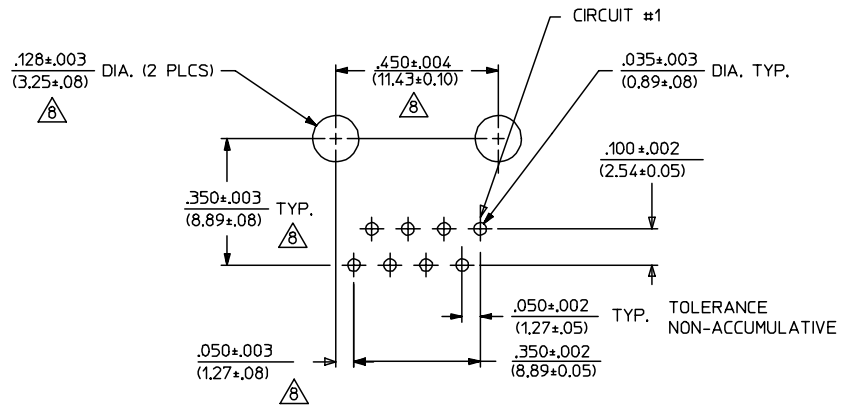


NOTES:

- MATERIALS :**
HOUSING - POLYESTER, GLASS-FILLED, UL94V-0, COLOR - BLACK
TERMINALS - .015/(0.38) THICK PHOSPHOR BRONZE
- FINISH :**
SELECT GOLD IN CONTACT AREA: 50 MICROINCHES MIN.,
*SELECT TIN IN PC TAIL AREA: 100 MICROINCHES MIN.,
WITH OVERALL NICKEL UNDERPLATE: 50 MICROINCHES MIN.,
*THE PRIMARY SHIPPING CARTON WILL BE LABELED *COMPLIANT TO RoHS DIRECTIVE 2002/95/EC AND ELV ANNEX II OF DIRECTIVE 2000/53/EC. CARTONS WITHOUT THIS LABEL MAY CONTAINS TIN-LEAD IN THE PC TAIL.
- PRODUCT SPECIFICATION : PS-42878**
- CONNECTORS ARE SHIPPED IN THERMOFORMED TRAYS, PER PACKAGING SPECIFICATION PK-42878-492.
- THIS MODULAR JACK CAVITY CONFORMS TO, AND ACCEPT PLUGS WHICH CONFORM TO, F.C.C. RULES AND REGULATIONS PART 68.5, SUBPART 'F'.
- THIS MODULAR JACK IS DESIGNED FOR USE WITH .047/(1.19) THICK P.C. BOARDS.
- THIS MODULAR JACK MUST BE CAPABLE OF FITTING INTO MOLEX GAGE G-42410.
- THESE DIMENSIONS APPLY WHEN RETENTION PEG OPTION IS PRESENT.

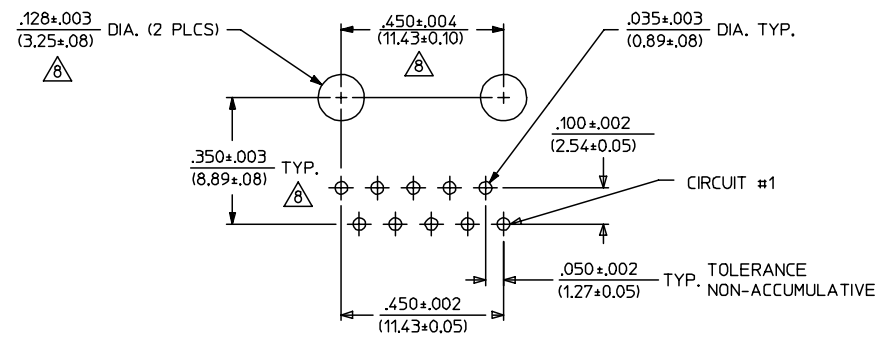
2	E
1	E1
SH	REV

ADD "NOT TOOLED" EC NO: UCP2005-2408 DRW: NLSCHMIDT 2005/05/12 CHKD: ELHAG 2005/05/12 APPR: FSMITH 2005/05/12	QUALITY SYMBOLS	GENERAL TOLERANCES (UNLESS SPECIFIED)	SCALE 4:1	DESIGN UNITS INCH	THIRD ANGLE PROJECTION	REVISE ON CAD ONLY	
	DESCRIPTION ▽ = 0 ▽ = 0	mm	INCH	DIMENSION STYLE IN/MM		TITLE	
		4 PLACES ± .010	± .010	DRAWN BY DATE		LOW PROFILE, 8/8 & 8/10 VERTICAL MODJACK W/ .165/(4.20) RADIUS-ASSY	
		3 PLACES ± .015	± .015	MUELLER 1998/08/10		MOLEX MOLEX INCORPORATED	
2 PLACES ± 0.25	± .015	CHECKED BY DATE		MATERIAL NO. DOCUMENT NO. SHEET NO.			
1 PLACE ± 0.38	± .015	ROBERTS 1998/08/11		SEE CHART SDA-43090-**** 1 OF 2			
ANGULAR ±1/2°		APPROVED BY DATE		THIS DRAWING CONTAINS INFORMATION THAT IS PROPRIETARY TO MOLEX INCORPORATED AND SHOULD NOT BE USED WITHOUT WRITTEN PERMISSION			
DRAFT WHERE APPLICABLE MUST REMAIN WITHIN DIMENSIONS		R EDGLEY 1998/08/11					



RECOMMENDED P.C. BOARD LAYOUT

8 POSITION MODULAR JACK BODY LOADED WITH 8 TERMINALS IS SHOWN ABOVE



RECOMMENDED P.C. BOARD LAYOUT

8 POSITION MODULAR JACK BODY LOADED WITH 10 TERMINALS IS SHOWN ABOVE

SEE SHEET ONE EC NO: UCP2004-1617 DRWN:LSCHMIDT 2004/03/03 CHKD:LSCHMIDT 2004/03/03 APPR:FSMITH 2004/03/03	QUALITY SYMBOLS	GENERAL TOLERANCES (UNLESS SPECIFIED)		SCALE 4:1	DESIGN UNITS INCH	THIRD ANGLE PROJECTION	REVISE ON CAD ONLY
	▼ = 0 ▽ = 0		mm	INCH	DIMENSION STYLE IN/MM		TITLE LOW PROFILE, 8/8 & 8/10 VERTICAL MODJACK W/ .165/(4.20) RADIUS-ASSY MOLEX MOLEX INCORPORATED
		4 PLACES	± .010	± .010	DRAWN BY	DATE	
		3 PLACES	± .015	± .015	MUELLER	1998/08/10	
	2 PLACES	± 0.25	± .015	CHECKED BY	DATE		
	1 PLACE	± 0.38	± .015	ROBERTS	1998/08/11		
		ANGULAR ±1/2°		APPROVED BY	DATE	MATERIAL NO.	DOCUMENT NO.
		DRAFT WHERE APPLICABLE MUST REMAIN WITHIN DIMENSIONS		R EDGLEY	1998/08/11	SEE CHART	SDA-43090-****
				THIS DRAWING CONTAINS INFORMATION THAT IS PROPRIETARY TO MOLEX INCORPORATED AND SHOULD NOT BE USED WITHOUT WRITTEN PERMISSION		SHEET NO.	2 OF 2